

MADE IN ITALY



SLIM

INCLINED PLATFORM LIFT FOR CURVED STAIRS

extrōma[®]
solutions in motion



The special **rope traction system** presents major benefits in respect of the traditional rack-and-pinion system commonly offered on the market: Slim can suit to **very narrow staircases** (min. passage required 895 mm), installation is possible both on the inner and outer side of the staircase as well as with very low headbulk. Slim is also **silent** when functioning and **comfortable for the user**.



Every component is **designed to occupy the minimum space** on the staircase and in the parking zones.



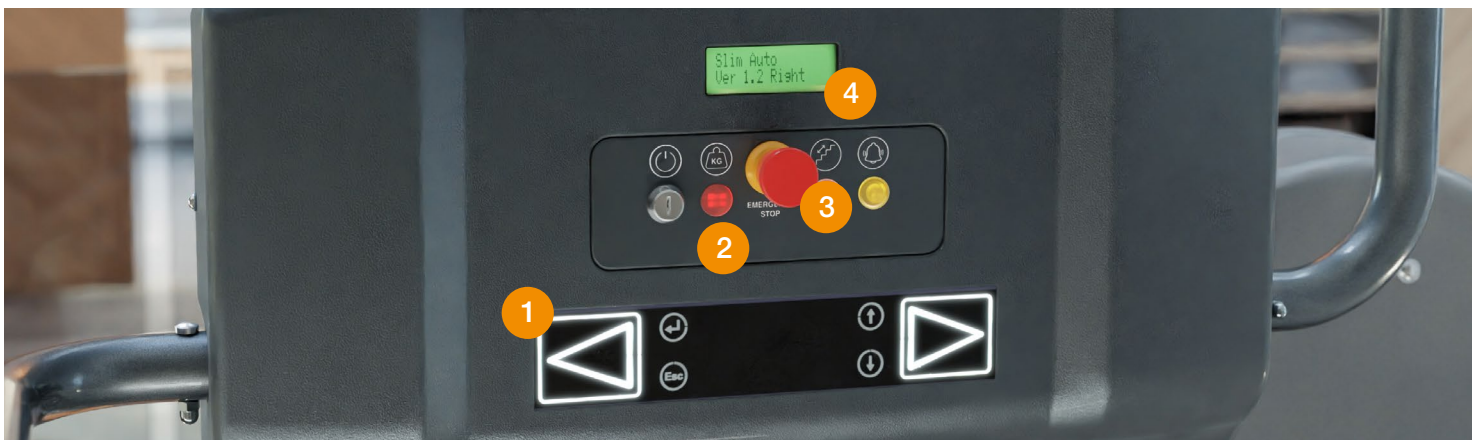
Remote controls to call the stairlift from the floor or send it to the parking position.



Foldable seat for users not on wheelchair (optional).



Wander lead for attendant control, with spiral cable (optional).



1. The **touch button panel** allows to move ergonomically the lift from board by simply touching with your fingers or palm the luminous arrows for ascend/descent, with no need to press on them.

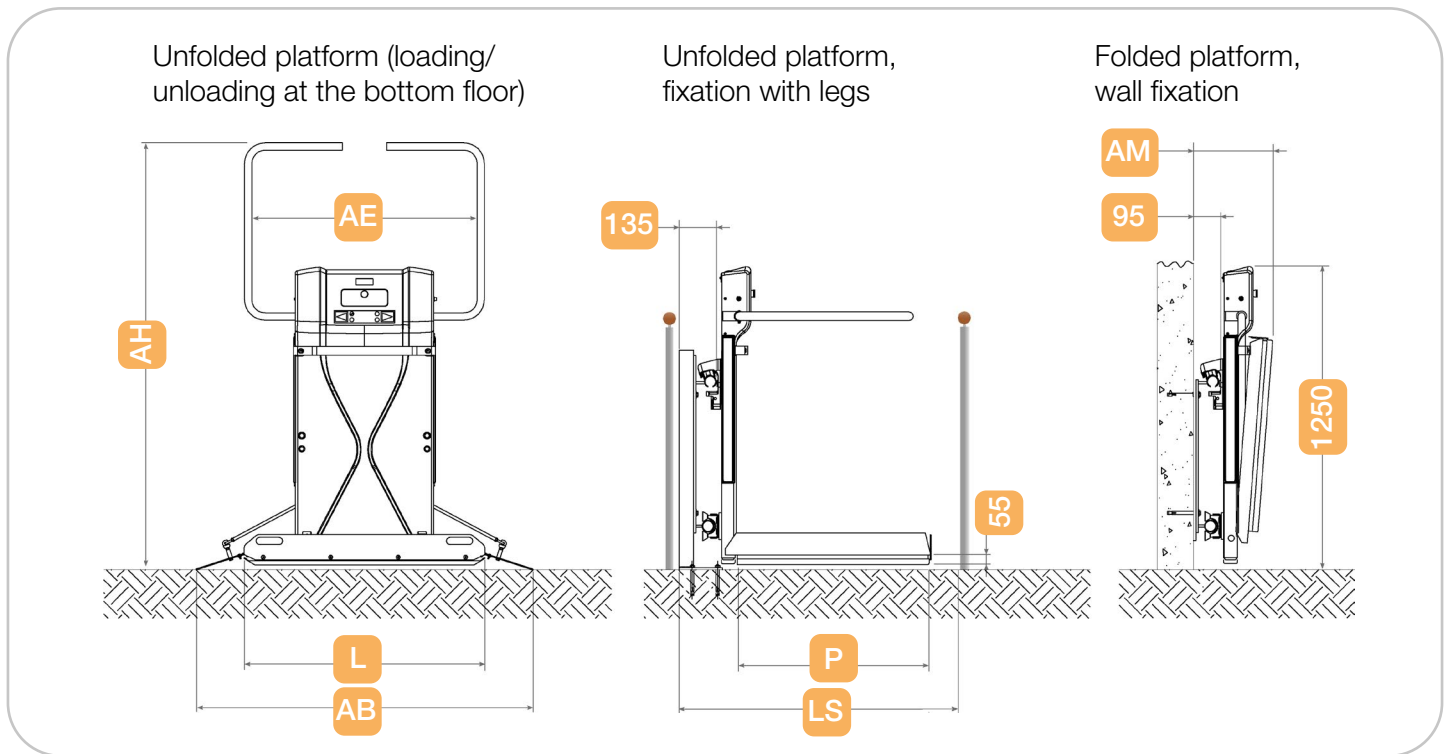
2. The **overload led** and the **flashing light with sound alarm** fulfill compliance to the existing Safety Regulations both in private and public places.

3. The emergency button **stops immediately** the platform;

when pressed it sounds uninterruptedly, warning the user of any incidental pressing.

4. The **innovative electronic system** allows to keep constant track of the state of functioning, it considerably **simplifies diagnostics** and allows the installer to **customize the main parameters** according to the user's needs at any time.

TECHNICAL FEATURES OF SLIM PLATFORM LIFT



Platform dimensions (LxP)	750x600	750x650	750x700	850x700	1000x800	1250x800
AB Overall platform length	1130	1130	1130	1230	1400	1650
AE Overall useful length within barrier arms	745	745	745	825	975	1225
AH Overall height unfolded platform	1640	1690	1690	1690	1765	1765
LS Minimum stair width (wall fixation)	895	935	975	1005	1130	1215
LS Minimum stair width (fixation with legs)	935	975	1015	1045	1170	1255
AM Folded platform (wall fixation)				305		
AM Folded platform (fixation with legs)				345		
Surmountable inclination	0°-55°	0°-55°	0°-55°	0°-55°	0°-55°	20°-55°

Technical data	
Load capacity	250 Kg (300 Kg optional*)
Speed	0,10 m/s
Control circuits voltage	24V DC
Power	0,75 ÷ 2,2 kW
Soft-start and soft-stop system	standard fitted
IP rating	IP 54
(*) surmountable inclination 20°-55° for 300 kg load capacity	

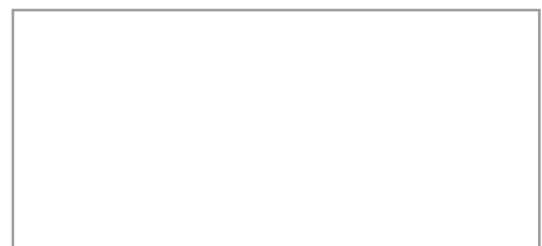
Colours	
Platform (**)	Dark Gray (similar to RAL 7011)
Rails (indoors) (**)	RAL 9006
Rails (outdoors)	Hot galvanised
(**) Other RAL colours available on request	

Compliance
2006/42/CE (ref. standard EN 81-40:2020)

All dimensions are expressed in millimeters and all information contained in this catalogue have to be ment purely indicative. Extrema reserves the right to change at any time the information here reported without prior notification.

extrema[®]
solutions in motion

Extrema S.r.l.
Via dell'Industria 2
46031 Bagnolo San Vito (MN) - I
Tel. (+39) 0376 252443
Fax (+39) 0376 251091
extremalifts.eu



For further information see our website extremalifts.eu